



# Service Bulletin

File In Section: 06 - Engine/Propulsion System

Bulletin No.: 03-06-01-010

Date: March, 2003



T

**Subject: Engine Oil or Coolant Leak (Install New Intake Manifold Gasket)**

**Models:** 2000-2003 Buick Century  
2002-2003 Buick Rendezvous  
1996 Chevrolet Lumina APV  
1997-2003 Chevrolet Venture  
1999-2001 Chevrolet Lumina  
1999-2003 Chevrolet Malibu, Monte Carlo  
2000-2003 Chevrolet Impala  
1996-2003 Oldsmobile Silhouette  
1999 Oldsmobile Cutlass  
1999-2003 Oldsmobile Alero  
1996-1999 Pontiac Trans Sport  
1999-2003 Pontiac Grand Am  
2000-2003 Pontiac Grand Prix, Montana  
2001-2003 Pontiac Aztek  
with 3.1L or 3.4L V-6 Engine (VINs J, E - RPOs LG8, LA1)

## Condition

Some owners may comment on an apparent oil or coolant leak. Additionally, the comments may range from spots on the driveway to having to add fluids.

## Cause

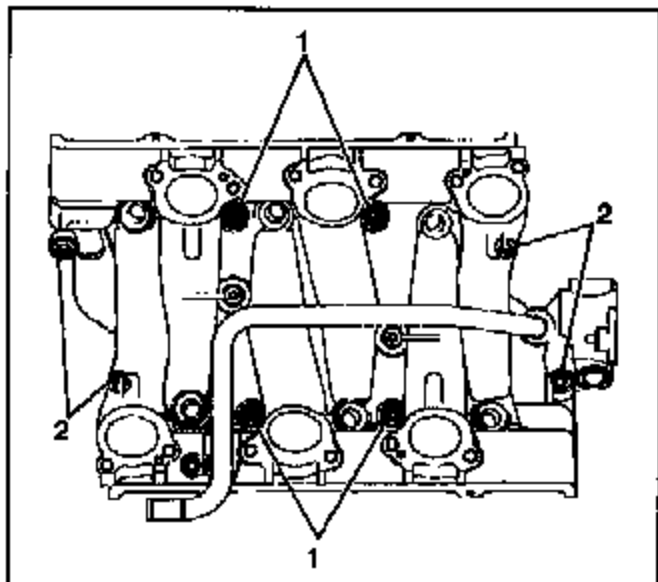
Intake manifold may be leaking allowing coolant, oil or both to leak from the engine.

## Correction

Install a new design intake manifold gasket. The material used in the gasket has been changed in order to improve the sealing qualities of the gasket. When replacing the gasket, the intake manifold bolts must also be cleaned, coated with threadlocker and torqued to a revised specification.

Clean all of the intake bolts of any debris or oils.

Be sure to apply threadlocker, GM P/N 12345382 (in Canada, P/N 10953489), to the bottom 3-4 threads of each of the intake bolts before installation.



100533

**Notice:** An oil leak may result if the vertical bolts are not tightened before the diagonal bolts.

Diagonal bolts may require a crows foot to tighten.

#### Tighten

1. Tighten the vertical lower intake manifold bolts (1) to 7 N-m (62 lb in).
2. Tighten the diagonal lower intake manifold bolts (2) to 7 N-m (62 lb in).
3. Tighten the vertical lower intake manifold bolts (1) to 13 N-m (115 lb in).
4. Tighten the diagonal lower intake manifold bolts (2) to 25 N-m (18 lb ft).

#### Parts Information

Part Number	Description	Qty
89017279	Intake manifold Gasket	1
12345382 (Canada 10953460)	Threadlocker	1

Parts are currently available from GMSPO.

#### Warranty Information

For vehicles repaired under warranty, use:

Labor Operation	Description	Labor Time
J0259	Manifold or Gasket, Intake (Upper, Lower) - Replace Gasket Lower	Use Published Labor Time

